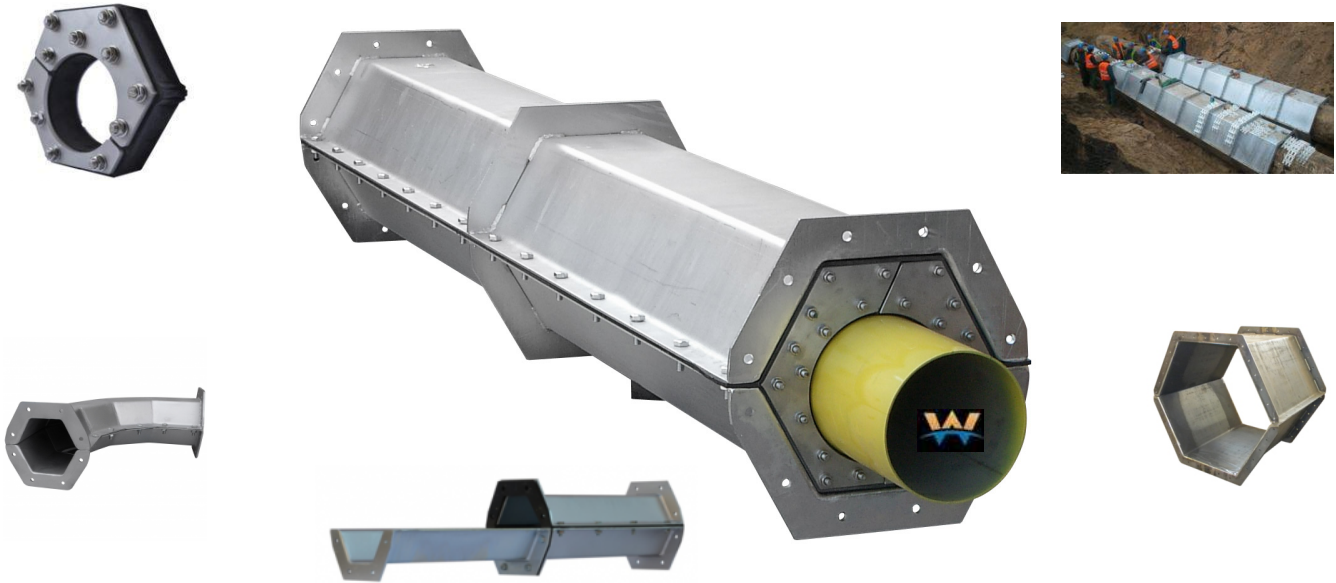
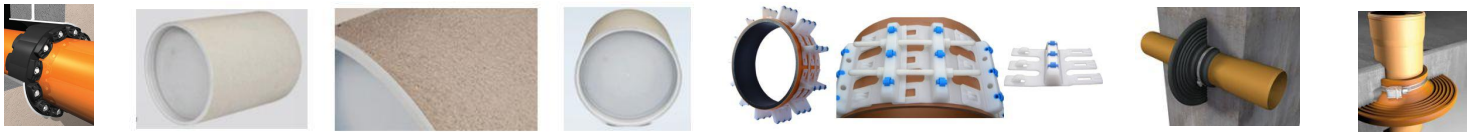
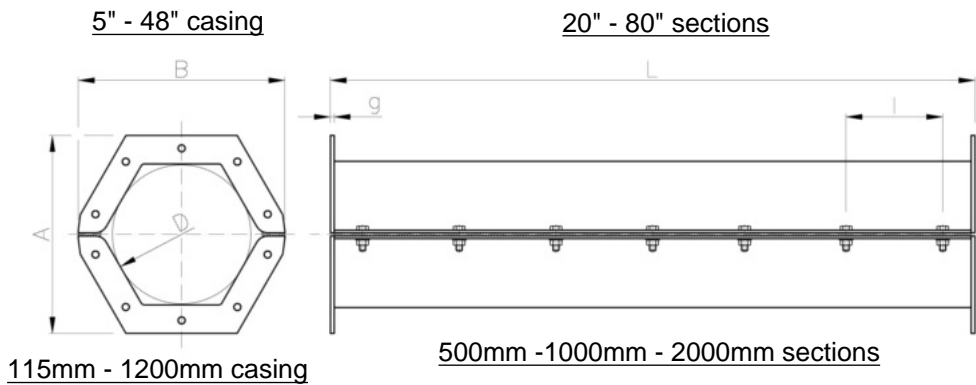


SPLIT CASINGS FOR EXISTING PIPE - SEALED CASING ENDS OR OPEN ENDS



125mm (5") to 1200mm (48") diameter casing - Seals EDPM or NBR - Galvanized or Stainless steel Material. Split casings provide protection for existing, gas mains, oil pipelines and water mains. Split casings may be installed as secondary containment systems, for existing oil pipelines that cross over waterways.

Specializing in Pipeline Protection, Repair, Couplings and Sealing.
 Contact us: Westatlantic Tech Corp., 902 455 4455



PIPES THROUGH WALLS AND FLOORS - WATERTIGHT ASSEMBLIES
LPS LINK SEALS - CEMENT ADHERING WALL SLEEVES - CASING SPACERS WHEEL ROLLERS - PUDDLE FLANGES

Contact us: Westatlantic Tech Corp., 902 455 4455