

Bell Joint Repair Clamps

Bell Joint repair clamps engineered design to repair joint collars. They provide permanent repairs to leaking spigots and socket joints. Once installed the gasket reinforces the seal of the spigot and socket joints.

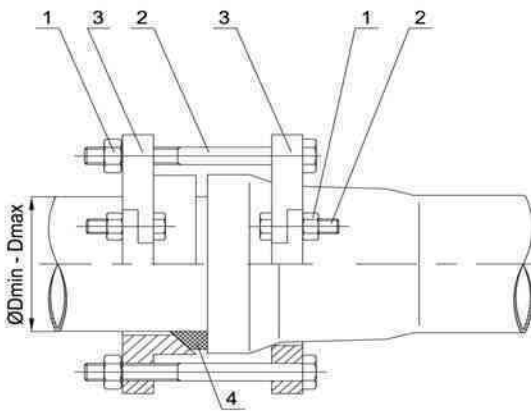
Repairs may be accomplished while the pipeline is still in service. Once installed there is no future maintenance required. It is a permanent repair.



Nut: Galvanized Steel
 Bolt: Galvanized Steel
 Flange: Ductile Iron
 Gasket: EDPM or NBR

Flanges: are fusion bonded epoxy coated, blue color, 200 micron.

Fit American and International Pipes



Pipe OD Ranges

Range Dmin - max in mm	Weight kg
62 - 68	3,5
75 - 84	4,5
94 - 100	8,5
114 - 120	9,5
166 - 173	11,5
217 - 224	13,5
270 - 276	18,5
321 - 328	20,0
373 - 380	27,0
424 - 431	30,5
527 - 534	37,5
630 - 638	50,0

Also available for pipes with two bell joints or to repair Asbestos collars :

