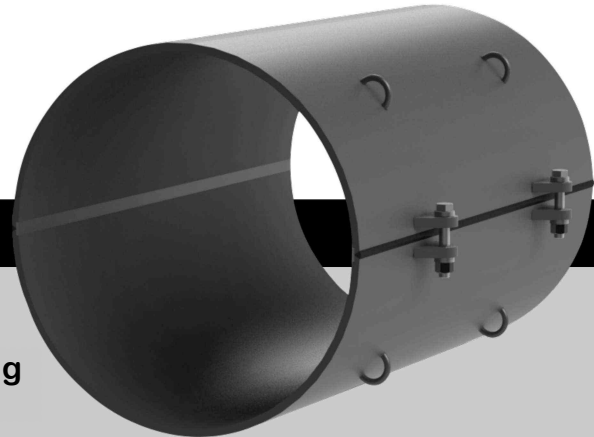


PIPELINE REPAIR PRODUCTS FOR HIGH PRESSURE PIPES IN THE OIL- GAS- AND PETROCHEMICAL INDUSTRY

Fits American and International Pipe Sizes



Reinforcement Sleeves pipe repair welded colsing

<http://www.pipelinecoupling.com/pages2/split-pipe-reinforcement-repair-sleeve.php>

Product description

Sleeves are designed to reinforce non-leaking, weakened, dented or damaged pipelines while the line remains on stream. Supplied for any specified pressure, wall thickness and class. Supplied in various lengths and materials as specified by the client.

Length up to 3.000 mm

Material specifications

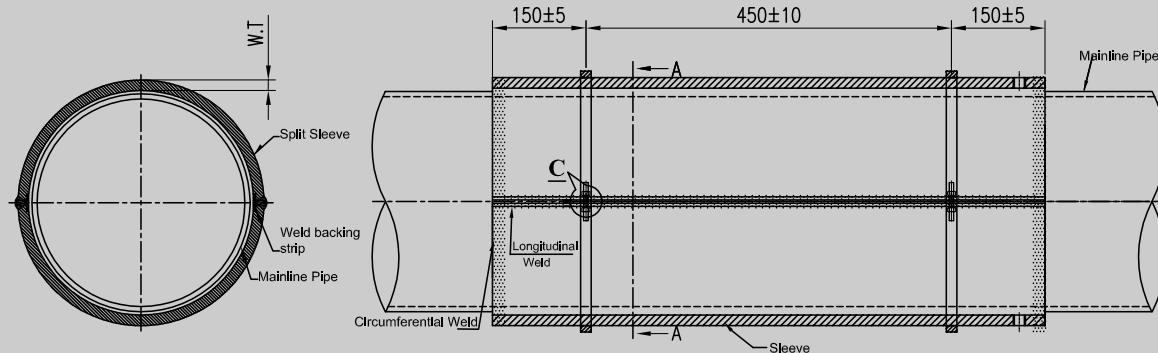
Clamps are manufactured from steel plate ASTM A516 Gr. 70 (Equivalent to A572 Gr. 50) or material acc. to API SL x 65. Longitudinal butt-welding is required for all applications and back-up strips are furnished. For pressure containing applications, the sleeve must be fully seal-welded to the pipeline.

Standard Clamp Components

Body (shell)	A516 Gr. 70 or API 5L x 65
Back strip	A36

Split Sleeve Pipe Repair
 Pipe Repair Clamps
 Split Barrel Repair Clamps
 Pipe Restraint Couplings

Contact Us:
 sales@westatlantictech.com
 + 902 455 4455



basic drawing reinforcement sleeve